

## FEATURES

- **SO-8 Package**
- 12-Bit Resolution
- **Buffered True Rail-to-Rail Voltage Output**
- External Reference Input Can Be Tied to  $V_{CC}$
- Output Swings from 0V to  $V_{REF}$
- 3V and 5V Supply Operation
- Schmitt Trigger on Clock Input Allows Direct Optocoupler Interface
- Power-On Reset Clears DACs to 0V
- 3-Wire Serial Interface
- **Maximum DNL Error: 0.5LSB**
- Low Cost

## APPLICATIONS


- Digital Calibration
- Industrial Process Control
- Automatic Test Equipment
- Cellular Telephones

## DESCRIPTION

The LTC<sup>®</sup>1448 is a dual rail-to-rail voltage output, 12-bit digital-to-analog converter (DAC). It includes rail-to-rail output buffer amplifiers and an easy-to-use 3-wire serial interface. It is available in 8-pin SO and PDIP packages and provides the smallest footprint of any dual 12-bit DAC.

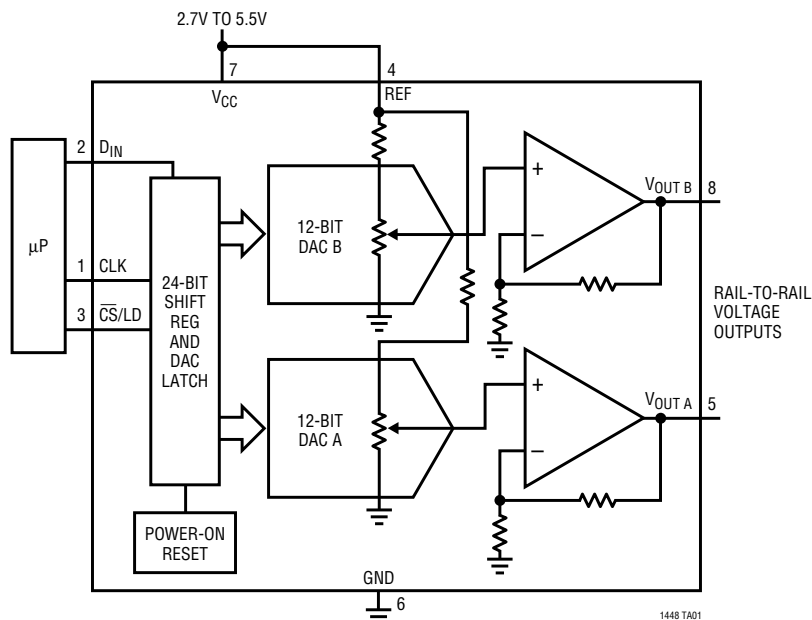
The LTC1448 has an external reference input pin (REF) and its outputs swing from 0V to REF. The REF input can be tied to  $V_{CC}$  providing rail-to-rail operation from supplies of 2.7V to 5.5V. (For devices with internal reference see the LTC1446 data sheet.) The LTC1448 dissipates 2.5mW from a 5V supply.

The low power supply current and the small SO-8 package make the LTC1448 ideal for battery-powered applications.

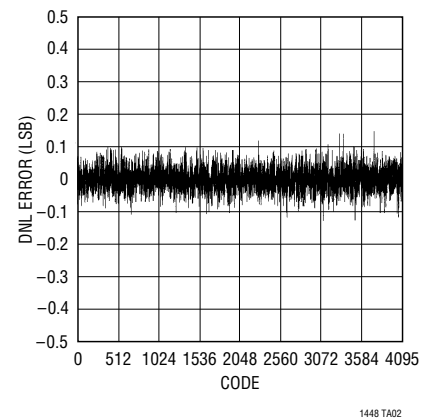
 LTC and LT are registered trademarks of Linear Technology Corporation.

## TYPICAL APPLICATION

Functional Block Diagram: 12-Bit Rail-to-Rail Dual DAC



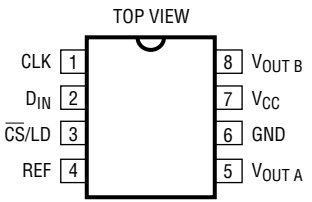
Differential Nonlinearity vs Input Code



## ABSOLUTE MAXIMUM RATINGS

$V_{CC}$ to GND .....	-0.5V to 7.5V
Logic Inputs to GND .....	-0.5V to 7.5V
$V_{OUT A}$ , $V_{OUT B}$ , REF to GND .....	-0.5V to $V_{CC} + 0.5V$
Maximum Junction Temperature .....	125°C
Operating Temperature Range	
LTC1448C .....	0°C to 70°C
LTC1448I .....	-40°C to 85°C
Storage Temperature Range .....	-65°C to 150°C
Lead Temperature (Soldering, 10 sec) .....	300°C

## PACKAGE/ORDER INFORMATION

 <p>TOP VIEW</p> <p>CLK 1, DIN 2, CS/LD 3, REF 4, VOUT A 5, GND 6, VCC 7, VOUT B 8</p> <p>N8 PACKAGE 8-LEAD PDIP, S8 PACKAGE 8-LEAD PLASTIC SO</p> <p><math>T_{JMAX} = 125^{\circ}C, \theta_{JA} = 100^{\circ}C/W</math> (N8)  <math>T_{JMAX} = 125^{\circ}C, \theta_{JA} = 150^{\circ}C/W</math> (S8)</p>	ORDER PART NUMBER
	LTC1448CN8 LTC1448IN8 LTC1448CS8 LTC1448IS8
	S8 PART MARKING
	1448 1448I

Consult factory for Military grade parts.

## ELECTRICAL CHARACTERISTICS

$V_{CC} = 2.7V$  to  $5.5V$ ,  $V_{OUT A}$  and  $V_{OUT B}$  unloaded,  $REF \leq V_{CC}$ ,  $T_A = T_{MIN}$  to  $T_{MAX}$ , unless otherwise noted.

SYMBOL	PARAMETER	CONDITIONS	MIN	TYP	MAX	UNITS	
<b>DAC</b>							
	Resolution		●	12		Bits	
	Monotonicity		●	12		Bits	
DNL	Differential Nonlinearity	$V_{REF} \leq V_{CC} - 0.1V$ (Note 1)	●	±0.2	±0.5	LSB	
INL	Integral Nonlinearity	$V_{REF} \leq V_{CC} - 0.1V$ (Note 1), $T_A = 25^{\circ}C$	●		±5.0	LSB	
		$V_{REF} \leq V_{CC} - 0.1V$ (Note 1)	●		±5.5	LSB	
$V_{OS}$	Offset Error	Measured at Code 20, $T_A = 25^{\circ}C$	●		±10	mV	
		Measured at Code 20	●		±15	mV	
$V_{OS}TC$	Offset Error Temperature Coefficient			±15		$\mu V/^{\circ}C$	
$V_{FS}$	Full-Scale Voltage	$V_{REF} = 4.096V, T_A = 25^{\circ}C$	●	4.070	4.095	4.120	V
		$V_{REF} = 4.096V$	●	4.060	4.095	4.130	V
$V_{FS}TC$	Full-Scale Voltage Temperature Coefficient			10		ppm/ $^{\circ}C$	
<b>Power Supply</b>							
$V_{CC}$	Positive Supply Voltage	For Specified Performance	●	2.7	5.5	V	
$I_{CC}$	Supply Current	(Note 4)	●	450	700	$\mu A$	
<b>Op Amp DC Performance</b>							
	Short-Circuit Current Low	$V_{OUT}$ Shorted to GND	●	55	120	mA	
	Short-Circuit Current High	$V_{OUT}$ Shorted to $V_{CC}$	●	65	120	mA	
	Output Impedance to GND	Input Code = 0	●	30	120	$\Omega$	
	Output Line Regulation	Input Code = 4095. $V_{CC} = 4.5V$ to $5.5V, V_{REF} = 4.096V$	●	0.2	1.5	LSB/V	

## ELECTRICAL CHARACTERISTICS

$V_{CC} = 2.7V$  to  $5.5V$ ,  $V_{OUT A}$  and  $V_{OUT B}$  unloaded,  $REF \leq V_{CC}$ ,  $T_A = T_{MIN}$  to  $T_{MAX}$ , unless otherwise noted.

SYMBOL	PARAMETER	CONDITIONS	MIN	TYP	MAX	UNITS	
<b>AC Performance</b>							
	Voltage Output Slew Rate		●	0.5	1.0	V/ $\mu$ s	
	Voltage Output Settling Time	(Notes 2, 3) to $\pm 0.5LSB$		14		$\mu$ s	
	Digital Feedthrough			0.3		nV•s	
<b>Reference Input</b>							
$R_{IN}$	REF Input Resistance		●	7.5	12.5	18	k $\Omega$
REF	REF Input Range	(Notes 5, 6)	●	0	$V_{CC}$		V
<b>Digital I/O</b>							
$V_{IH}$	Digital Input High Voltage	$V_{CC} = 5V$ $V_{CC} = 3V$	● ●	2.4 2.0			V V
$V_{IL}$	Digital Input Low Voltage	$V_{CC} = 5V$ $V_{CC} = 3V$	● ●		0.8 0.6		V V
$I_{LEAK}$	Digital Input Leakage	$V_{IN} = GND$ to $V_{CC}$	●		$\pm 10$		$\mu$ A
$C_{IN}$	Digital Input Capacitance	(Note 6)	●		10		pF
<b>Switching (<math>V_{CC} = 4.5V</math> to <math>5.5V</math>)</b>							
$t_1$	$D_{IN}$ Valid to CLK Setup		●	40			ns
$t_2$	$D_{IN}$ Valid to CLK Hold		●	0			ns
$t_3$	CLK High Time	(Note 6)	●	40			ns
$t_4$	CLK Low Time	(Note 6)	●	40			ns
$t_5$	$\overline{CS}/LD$ Pulse Width	(Note 6)	●	50			ns
$t_6$	LSB CLK to $\overline{CS}/LD$	(Note 6)	●	40			ns
$t_7$	$\overline{CS}/LD$ Low to CLK	(Note 6)	●	20			ns
$t_8$	CLK Low to $\overline{CS}/LD$ Low	(Note 6)	●	20			ns
<b>Switching (<math>V_{CC} = 2.7V</math> to <math>5.5V</math>)</b>							
$t_1$	$D_{IN}$ Valid to CLK Setup		●	60			ns
$t_2$	$D_{IN}$ Valid to CLK Hold		●	0			ns
$t_3$	CLK High Time	(Note 6)	●	60			ns
$t_4$	CLK Low Time	(Note 6)	●	60			ns
$t_5$	$\overline{CS}/LD$ Pulse Width	(Note 6)	●	80			ns
$t_6$	LSB CLK to $\overline{CS}/LD$	(Note 6)	●	60			ns
$t_7$	$\overline{CS}/LD$ Low to CLK	(Note 6)	●	30			ns
$t_8$	CLK Low to $\overline{CS}/LD$ Low	(Note 6)	●	30			ns

The ● denotes specifications which apply over the full operating temperature range.

**Note 1:** Nonlinearity is defined from code 20 to code 4095 (full scale). See Applications Information.

**Note 2:** Load is 5k  $\Omega$  in parallel with 100pF.

**Note 3:** DAC switched between all 1s and the code corresponding to  $V_{OS}$  for the part.

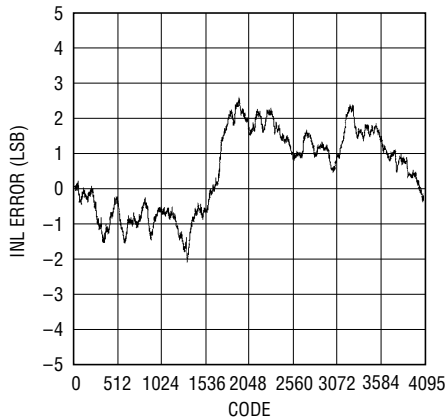
**Note 4:** Digital inputs at 0V or  $V_{CC}$ .

**Note 5:**  $V_{OUT}$  can only swing from  $(GND + |V_{OS}|)$  to  $(V_{CC} - |V_{OS}|)$  when output is unloaded.

**Note 6:** Guaranteed by design, not subject to test.

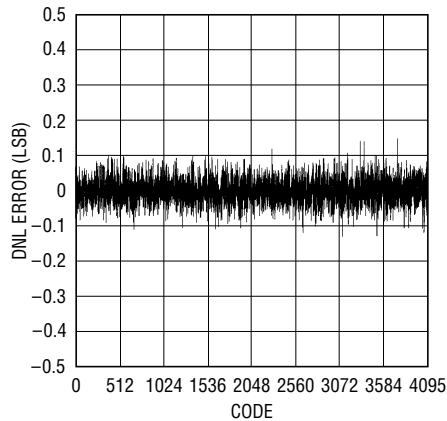
## TYPICAL PERFORMANCE CHARACTERISTICS

### Integral Nonlinearity (INL)



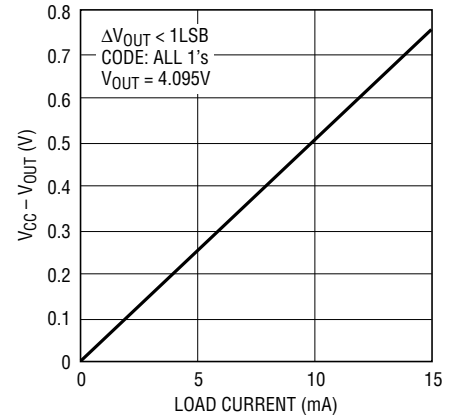
1448 G01

### Differential Nonlinearity (DNL)



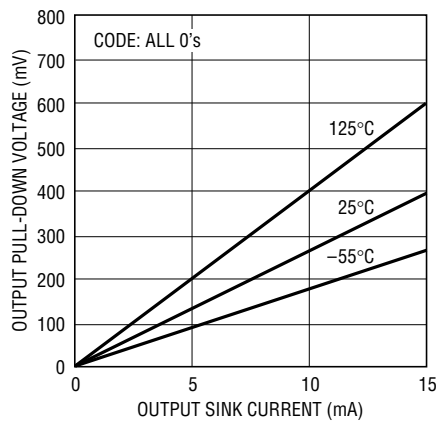
1448 TA02

### Minimum Supply Headroom for Full Output Swing vs Load Current



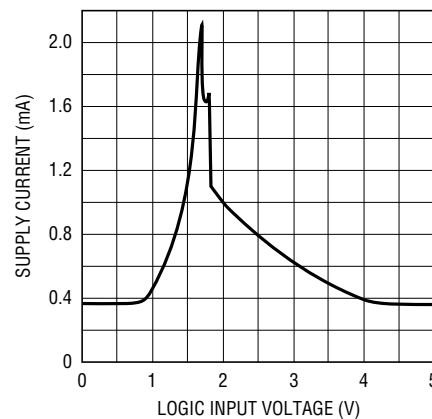
1448 G03

### Minimum Output Voltage vs Output Sink Current



1448 G04

### Supply Current vs Logic Input Voltage



1448 G06

## PIN FUNCTIONS

**CLK (Pin 1):** Serial Interface Clock. Internal Schmitt trigger on this input allows direct optocoupler interface.

**D<sub>IN</sub> (Pin 2):** Serial Interface Data. Data on the D<sub>IN</sub> pin is latched into the shift register on the rising edge of the serial clock.

**$\overline{\text{CS/LD}}$  (Pin 3):** Serial Interface Enable and Load Control. When  $\overline{\text{CS/LD}}$  is low the CLK signal is enabled, so the data can be clocked in. When  $\overline{\text{CS/LD}}$  is pulled high, data is loaded from the shift register into the DAC register,

updating the DAC output and the CLK is disabled internally.

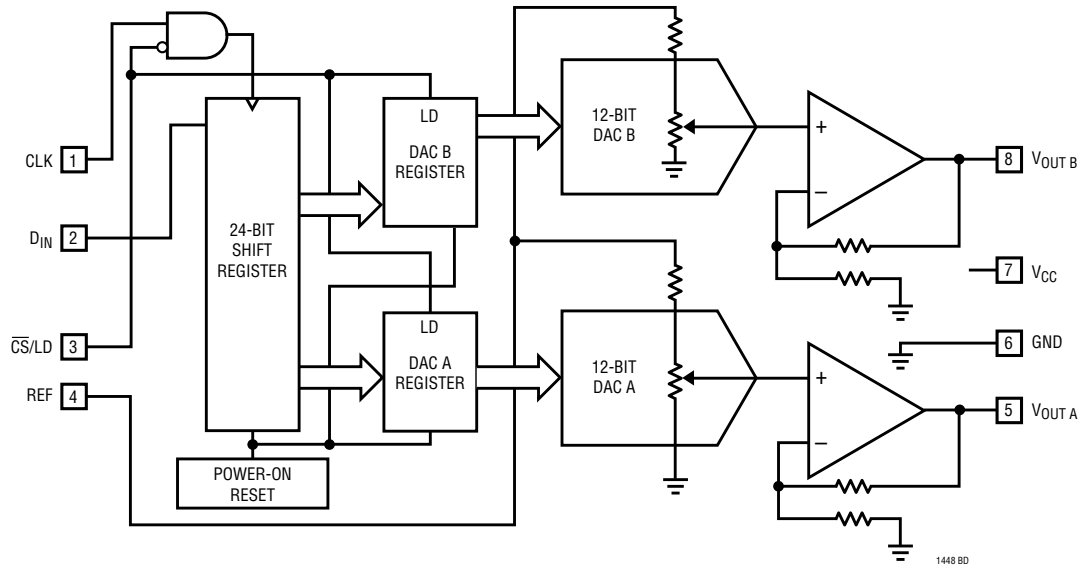
**REF (Pin 4):** Reference Input for Both DACs. This pin can be tied to V<sub>CC</sub>. The output will swing from 0V to REF. The typical input resistance is 12.5k.

**V<sub>OUT A</sub>, V<sub>OUT B</sub> (Pins 5, 8):** Buffered DAC Outputs.

**GND (Pin 6):** Ground.

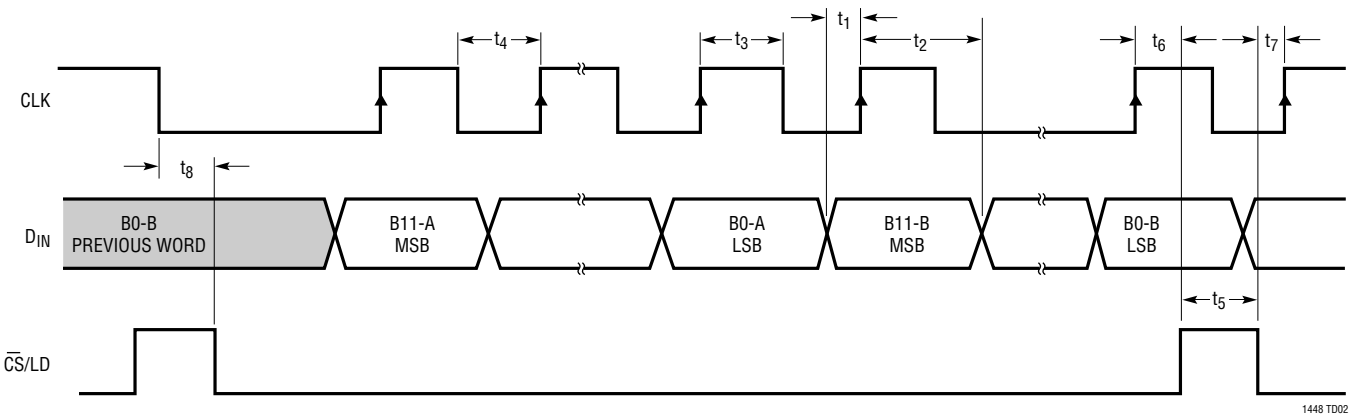
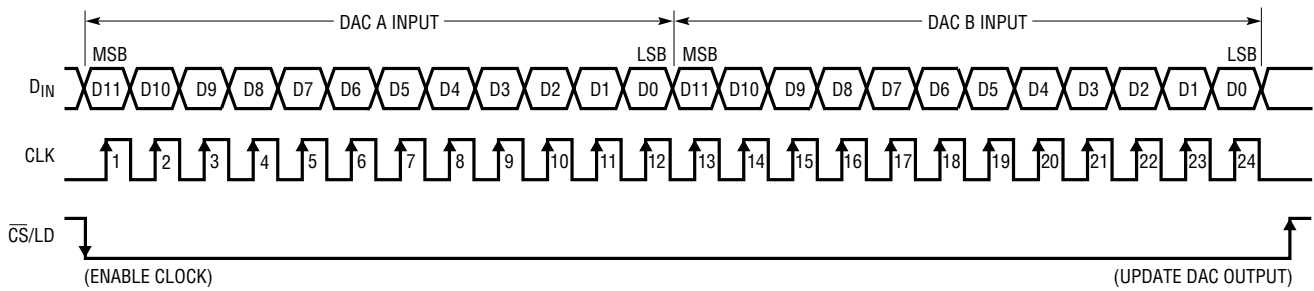
**V<sub>CC</sub> (Pin 7):** Positive Supply Input.  $2.7\text{V} \leq V_{\text{CC}} \leq 5.5\text{V}$ . Requires a bypass capacitor to ground.

# BLOCK DIAGRAM



# TIMING DIAGRAMS

## OPERATING SEQUENCE



## DEFINITIONS

**Differential Nonlinearity (DNL):** The difference between the measured change and the ideal 1LSB change for any two adjacent codes. The DNL error between any two codes is calculated as follows:

$$DNL = (\Delta V_{OUT} - LSB)/LSB$$

where  $\Delta V_{OUT}$  is the measured voltage difference between two adjacent codes.

**Digital Feedthrough:** The glitch that appears at the analog output caused by AC coupling from the digital inputs when they change state. The area of the glitch is specified in (nV)(sec).

**Full-Scale Error (FSE):** The deviation of the actual full-scale voltage from ideal. FSE includes the effects of offset and gain errors (see Applications Information).

**Integral Nonlinearity (INL):** The deviation from a straight line passing through the endpoints of the DAC transfer curve (Endpoint INL). Because the output cannot go below zero, the linearity is measured between full scale and the lowest code which guarantees the output will be greater

than zero. The INL error at a given input code is calculated as follows:

$$INL = [V_{OUT} - V_{OS} - (V_{FS} - V_{OS})(code/4095)]/LSB$$

where  $V_{OUT}$  is the output voltage of the DAC measured at the given input code.

**Least Significant Bit (LSB):** The ideal voltage difference between two successive codes.

$$LSB = V_{REF}/4096$$

**Resolution (n):** Defines the number of DAC output states ( $2^n$ ) that divide the full-scale range. Resolution does not imply linearity.

**Voltage Offset Error ( $V_{OS}$ ):** Nominally, the voltage at the output when the DAC is loaded with all zeros. A single supply DAC can have a true negative offset, but the output cannot go below zero (see Applications Information).

For this reason, single supply DAC offset is measured at the lowest code that guarantees the output will be greater than zero.

## OPERATION

### Serial Interface

The data on the DIN input is loaded into the shift register on the rising edge of the clock. Data is loaded as one 24-bit word where the first 12 bits are for DAC A and the second 12 are for DAC B. For each 12-bit segment the MSB is loaded first. Data from the shift register is loaded into the DAC register when  $\overline{CS}/LD$  is pulled high. The clock is disabled internally when  $\overline{CS}/LD$  is high. Note: CLK must be low before  $\overline{CS}/LD$  is pulled low to avoid an extra internal clock pulse.

### Voltage Output

The LTC1448's rail-to-rail buffered outputs can source or sink 5mA over the entire operating temperature range

while pulling to within 300mV of the positive supply voltage or ground. The output swings to within a few millivolts of either supply rail when unloaded and has an equivalent output resistance of  $30\Omega$  when driving a load to the rails. The output can drive 1000pF without going into oscillation.

The output swings from 0V to the voltage at the REF pin, i.e., there is a gain of 1 from the REF to  $V_{OUT}$ . Please note if REF is tied to  $V_{CC}$  the output can only swing to  $(V_{CC} - V_{OS})$ . See Applications Information.

## APPLICATIONS INFORMATION

### Rail-to-Rail Output Considerations

In any rail-to-rail DAC, the output swing is limited to voltages within the supply range.

If the DAC offset is negative, the output for the lowest codes limits at 0V as shown in Figure 1b.

Similarly, limiting can occur near full scale when the REF pin is tied to  $V_{CC}$ . If  $V_{REF} = V_{CC}$  and the DAC full-scale error

(FSE) is positive, the output for the highest codes limits at  $V_{CC}$  as shown in Figure 1c. No full-scale limiting can occur if  $V_{REF}$  is less than  $V_{CC} - FSE$ .

Offset and linearity are defined and tested over the region of the DAC transfer function where no output limiting can occur.

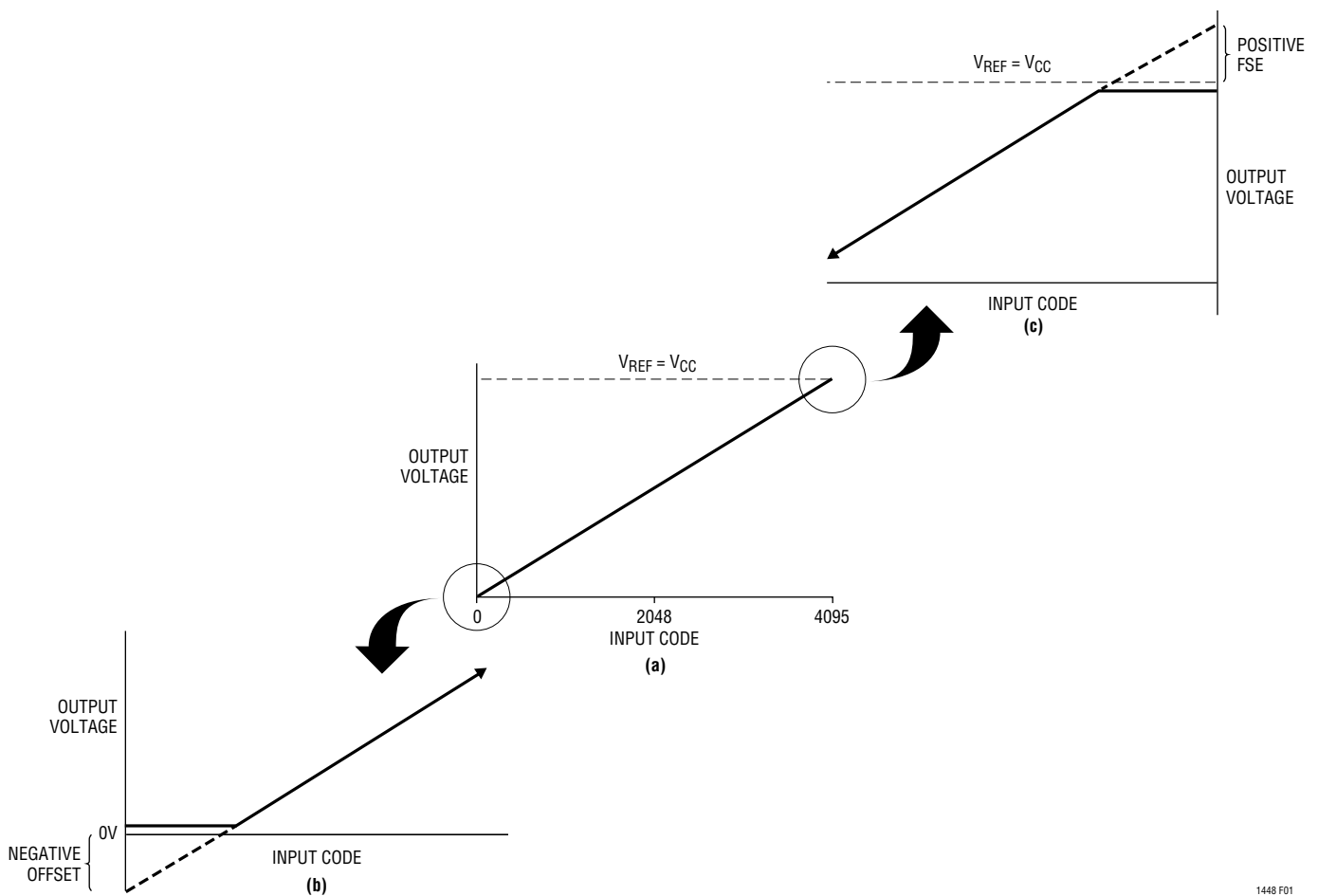


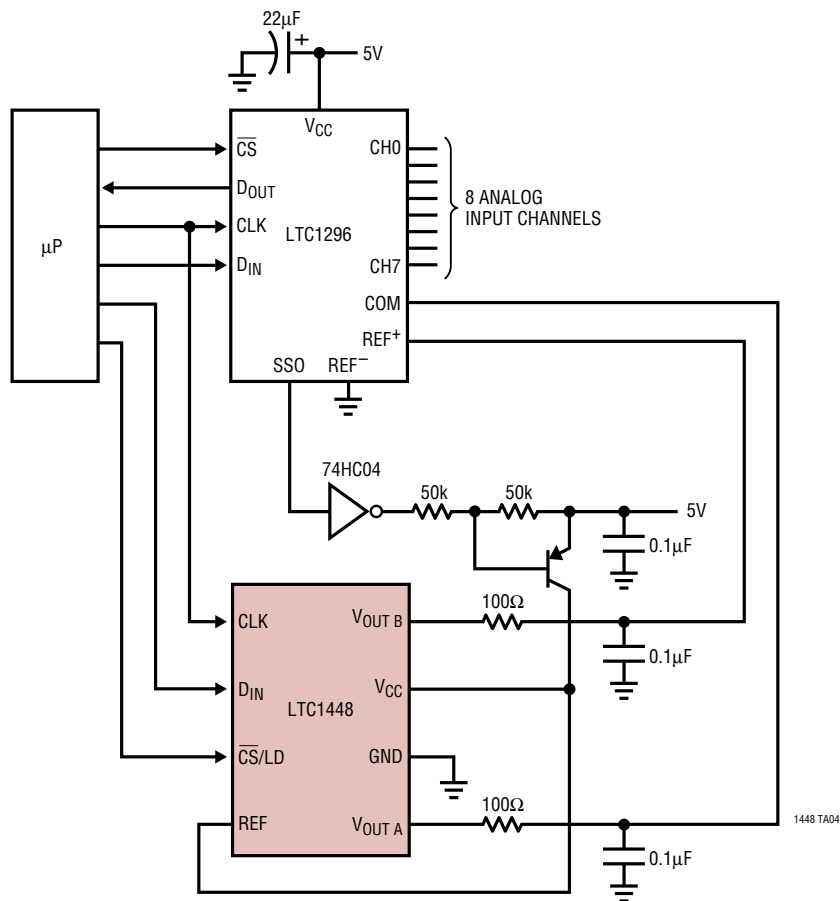
Figure 1. Effects of Rail-to-Rail Operation on a DAC Transfer Curve: (a) Overall Transfer Function, (b) Effect of Negative Offset for Codes Near Zero Scale, (c) Effect of Positive Full-Scale Error for Input Codes Near Full Scale When  $V_{REF} = V_{CC}$

## TYPICAL APPLICATIONS

This circuit shows how to use one LTC1448 to make an autoranging ADC. The microprocessor sets the reference span and the Common pin for the analog input by loading the appropriate digital code into the LTC1448.  $V_{OUT A}$  controls the Common pin for the analog inputs to the LTC1296 and  $V_{OUT B}$  controls the reference span by setting

the REF+ pin on the LTC1296. The LTC1296 has a Shutdown pin that goes low in shutdown mode. This will turn off the PNP transistor supplying power to the LTC1448. The resistor and capacitor on the LTC1448 outputs act as a lowpass filter for noise.

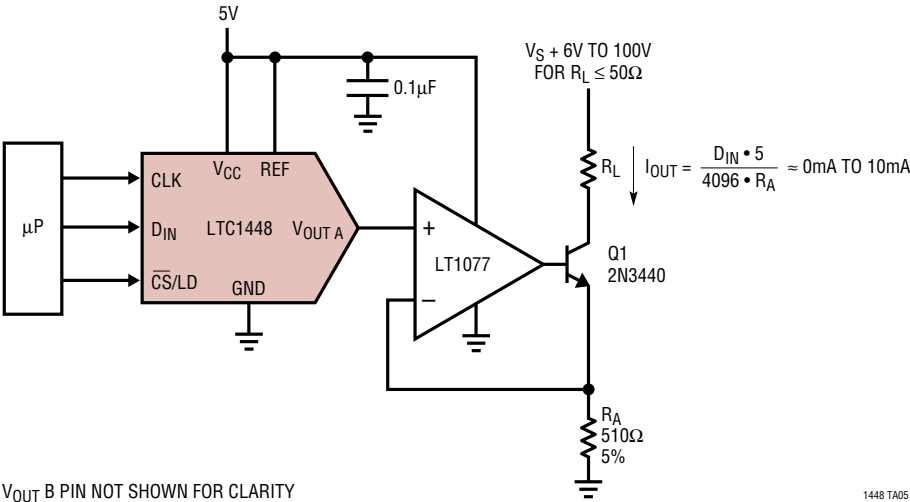
An Autoranging 8-Channel ADC with Shutdown





TYPICAL APPLICATIONS

Digitally Programmable Current Source

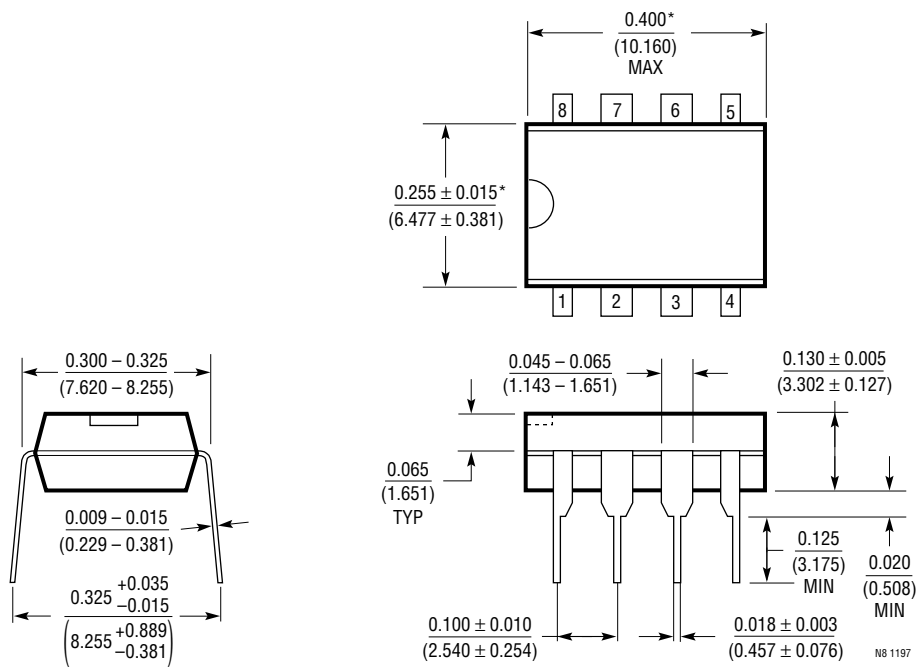


V<sub>OUT B</sub> PIN NOT SHOWN FOR CLARITY

1448 TA05

**PACKAGE DESCRIPTION** Dimensions in inches (millimeters) unless otherwise noted.

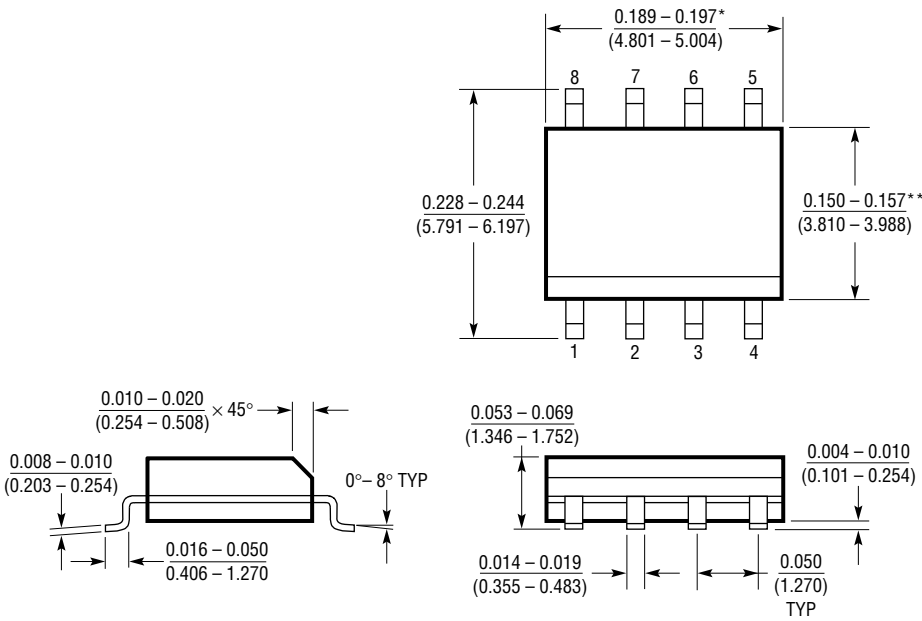
**N8 Package**  
**8-Lead PDIP (Narrow 0.300)**  
 (LTC DWG # 05-08-1510)



\*THESE DIMENSIONS DO NOT INCLUDE MOLD FLASH OR PROTRUSIONS.  
 MOLD FLASH OR PROTRUSIONS SHALL NOT EXCEED 0.010 INCH (0.254mm)

**PACKAGE DESCRIPTION** Dimensions in inches (millimeters) unless otherwise noted.

**S8 Package**  
**8-Lead Plastic Small Outline (Narrow 0.150)**  
 (LTC DWG # 05-08-1610)

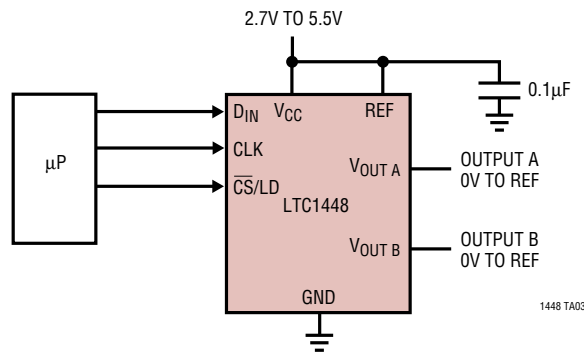


\*DIMENSION DOES NOT INCLUDE MOLD FLASH. MOLD FLASH SHALL NOT EXCEED 0.006" (0.152mm) PER SIDE  
 \*\*DIMENSION DOES NOT INCLUDE INTERLEAD FLASH. INTERLEAD FLASH SHALL NOT EXCEED 0.010" (0.254mm) PER SIDE

S08 0996

## TYPICAL APPLICATION

12-Bit, 3V to 5V Supply, Dual Voltage Output DAC



## RELATED PARTS

PART NUMBER	DESCRIPTION	COMMENTS
LTC1257	Single 12-Bit $V_{OUT}$ DAC, Full Scale: 2.048V, $V_{CC}$ : 4.75V to 15.75V, Reference Can Be Overdriven Up to 12V, i.e., $F_{S_{MAX}} = 12V$	5V to 15V Single Supply, Complete $V_{OUT}$ DAC in SO-8 Package
LTC1446/LTC1446L	Dual 12-Bit $V_{OUT}$ DACs in SO-8 Package with Internal Reference	LTC1446: $V_{CC} = 4.5V$ to 5.5V, $V_{OUT} = 0V$ to 4.095V LTC1446L: $V_{CC} = 2.7V$ to 5.5V, $V_{OUT} = 0V$ to 2.5V
LTC1450/LTC1450L	Single 12-Bit $V_{OUT}$ DACs with Parallel Interface	LTC1450: $V_{CC} = 4.5V$ to 5.5V, $V_{OUT} = 0V$ to 4.095V LTC1450L: $V_{CC} = 2.7V$ to 5.5V, $V_{OUT} = 0V$ to 2.5V
LTC1451	Single Rail-to-Rail 12-Bit DAC, Full Scale: 4.095V, $V_{CC}$ : 4.5V to 5.5V, Internal 2.048V Reference Brought Out to Pin	5V Low Power, Complete $V_{OUT}$ DAC in SO-8 Package
LTC1452	Single Rail-to-Rail 12-Bit $V_{OUT}$ Multiplying DAC, $V_{CC}$ : 2.7V to 5.5V	Low Power, Multiplying $V_{OUT}$ DAC with Rail-to-Rail Buffer Amplifier in SO-8 Package
LTC1453	Single Rail-to-Rail 12-Bit $V_{OUT}$ DAC, Full Scale: 2.5V, $V_{CC}$ : 2.7V to 5.5V	3V, Low Power, Complete $V_{OUT}$ DAC in SO-8 Package
LTC1454/LTC1454L	Dual 12-Bit $V_{OUT}$ DACs in SO-16 Package with Added Functionality	LTC1454: $V_{CC} = 4.5V$ to 5.5V, $V_{OUT} = 0V$ to 4.095V LTC1454L: $V_{CC} = 2.7V$ to 5.5V, $V_{OUT} = 0V$ to 2.5V
LTC1456	Single Rail-to-Rail Output 12-Bit DAC with Clear Pin, Full Scale: 4.095V, $V_{CC}$ : 4.5V to 5.5V	Low Power, Complete $V_{OUT}$ DAC in SO-8 Package with Clear Pin
LTC1458/LTC1458L	Quad 12 Bit Rail-to-Rail Output DACs with Added Functionality	LTC1458: $V_{CC} = 4.5V$ to 5.5V, $V_{OUT} = 0V$ to 4.095V LTC1458L: $V_{CC} = 2.7V$ to 5.5V, $V_{OUT} = 0V$ to 2.5V
LTC1659	Single Rail-to-Rail 12-Bit $V_{OUT}$ DAC in MSOP-8 Package, $V_{CC}$ : 2.7V to 5.5V	Low Power Multiplying $V_{OUT}$ DAC in MSOP-8 Package. Output Swings from GND to REF. REF Input Can Be Tied to $V_{CC}$